



AUTOMATIC ENTRANCE SPECIALISTS



Pas A

IP1730
rev. 2005-11-18

I

Manuale di installazione rilevatore di movimento e presenza a raggi infrarossi attivo

GB

Installation handbook for active infrared motion and presence sensor

F

Manuel d'installation pour détecteur de mouvement et présence à infrarouges actifs

D

Montageanleitung für Aktiv-Infrarot-Bewegungs- und Anwesenheitssensor

E

Manual de instalaci3n para detector de movimiento y presencia infrarojos activo

P

Manual de instala33o para o detector de movimento e presen3a a raios infravermelhos activo

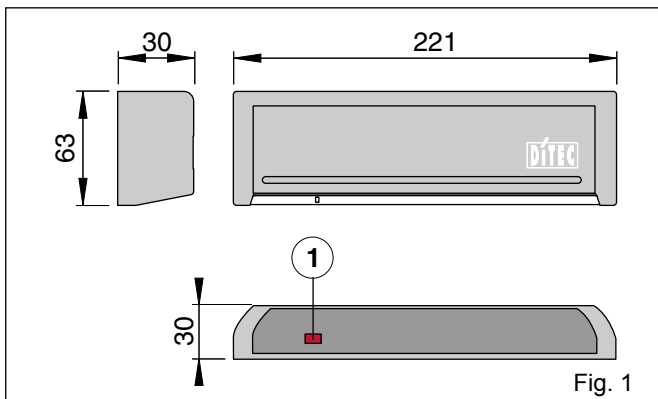


Fig. 1

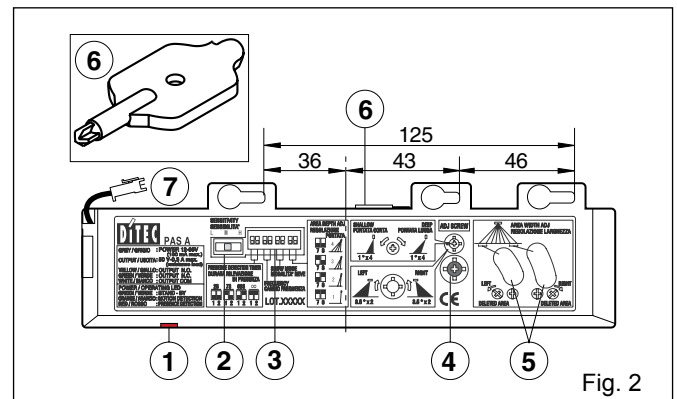
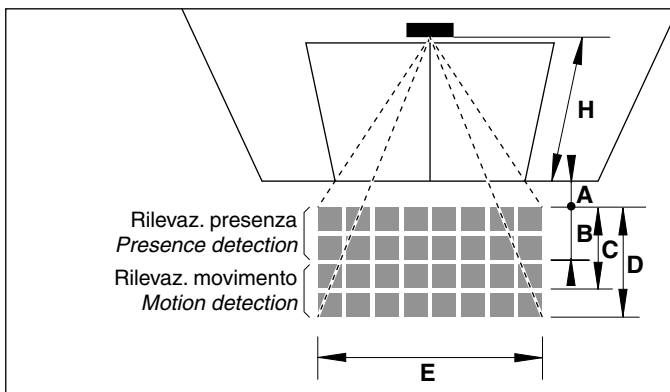
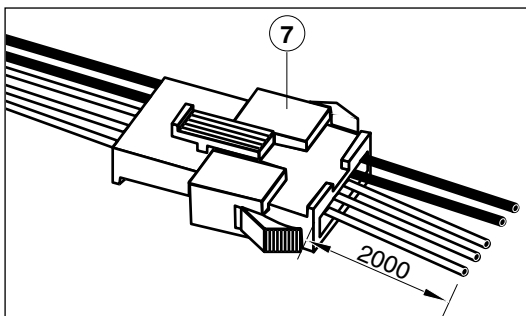


Fig. 2



| | | | | |
|----------|------|------|------|------|
| H | 2200 | 2500 | 2700 | 3000 |
| A | 180 | 200 | 220 | 250 |
| B | 310 | 350 | 380 | 410 |
| C | 750 | 850 | 920 | 1020 |
| D | 1300 | 1480 | 1590 | 1770 |
| E | 2300 | 2600 | 2800 | 3100 |

Fig. 3



| | | |
|-------------|---|-----|
| 24 V= | ● Grigio - Grey - Gris - Grau - Gris - Gris | 0 |
| | ● Grigio - Grey - Gris - Grau - Gris - Gris | 1 |
| com | ● Bianco - White - Blanc - Weiss - Blanco - Branco | 1 |
| N.O. | ● Giallo - Yellow - Jaune - Gelb - Amarillo - Amarelo | 3 |
| N.C. | ● Verde - Green - Vert - Grün - Verde - Verde | (*) |

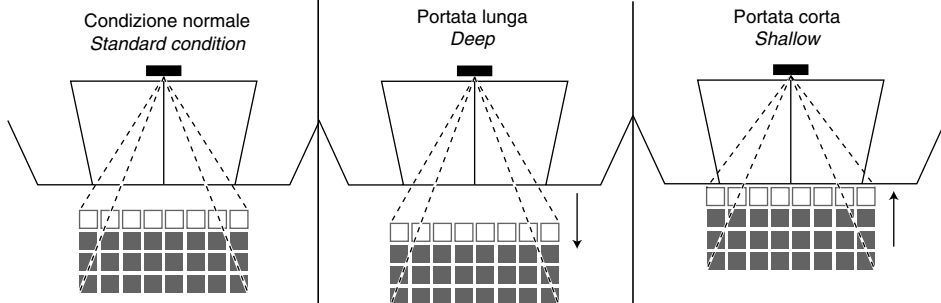
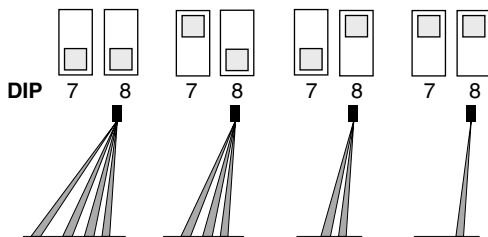
Fig. 4

| | | | |
|------------------------------|------------------------|---------------------------|---------------------------|
| Alimentazione - Power supply | Assorbimento - Current | Uscita N.C. - N.C. Output | Temperatura - Temperature |
| 24 V= | 50 mA max (24 V=) | 50 V / 0,3 A (relais) | -20° C / +55° C |



DITEC S.p.A.
Via Mons. Banfi, 3 - 21042 Caronno Pertusella (VA) - ITALY
Tel. +39 02 963911 - Fax +39 02 9650314
www.ditec.it - ditec@ditecva.com

Regolazione profondità / Depth adjustment



Area eliminabile (DIP7-8)
Erasable area (DIP7-8)

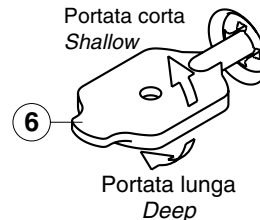
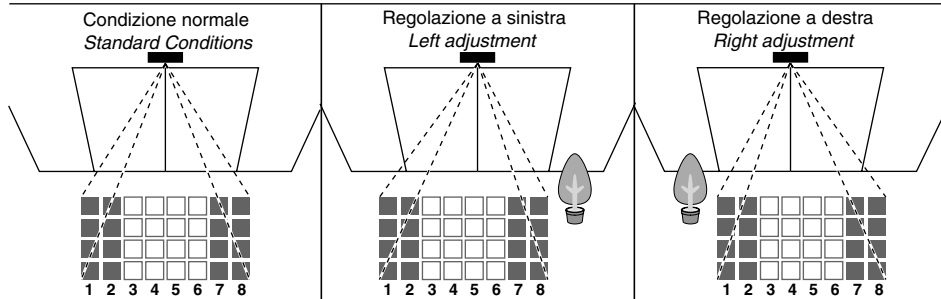
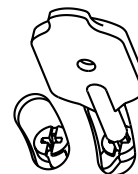


Fig. 5

| Area intera All area | Eliminare [1] [2] Eliminate [1] [2] | Eliminare [7] [8] Eliminate [7] [8] | Eliminare [1][2][7][8] Eliminate [1][2][7][8] |
|-------------------------|--|--|--|
| | | | |



Area eliminabile
Erasable Area

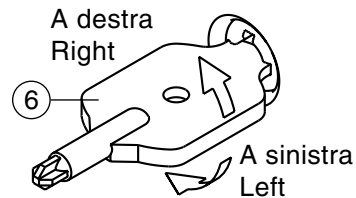


Fig. 6

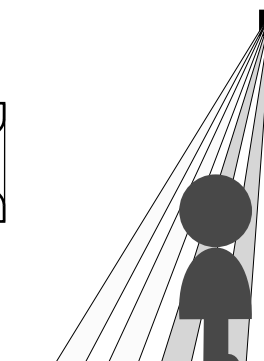
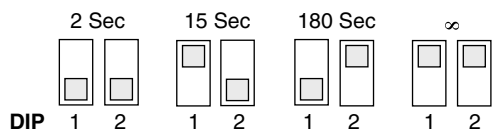


Fig. 7

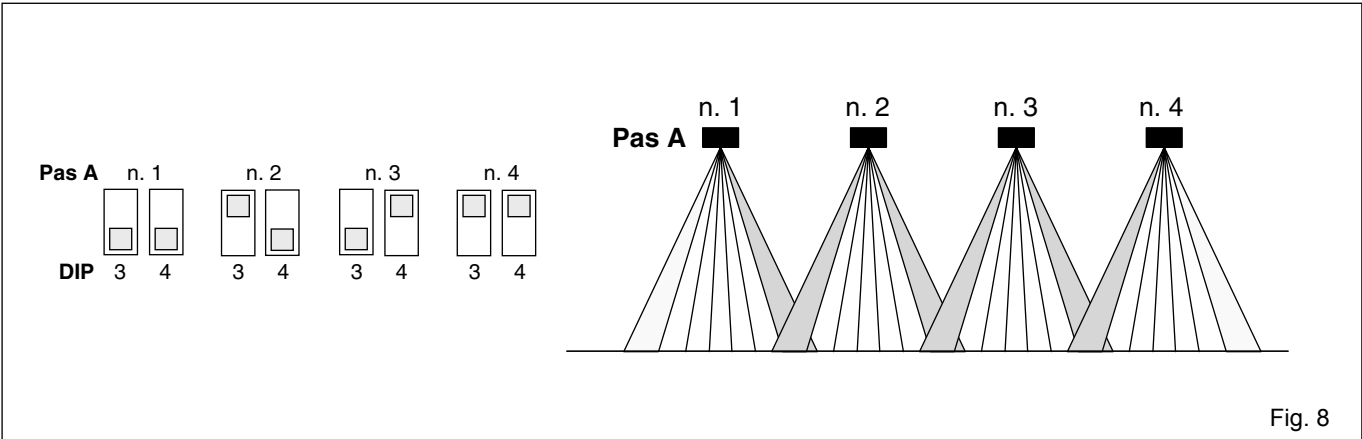


Fig. 8

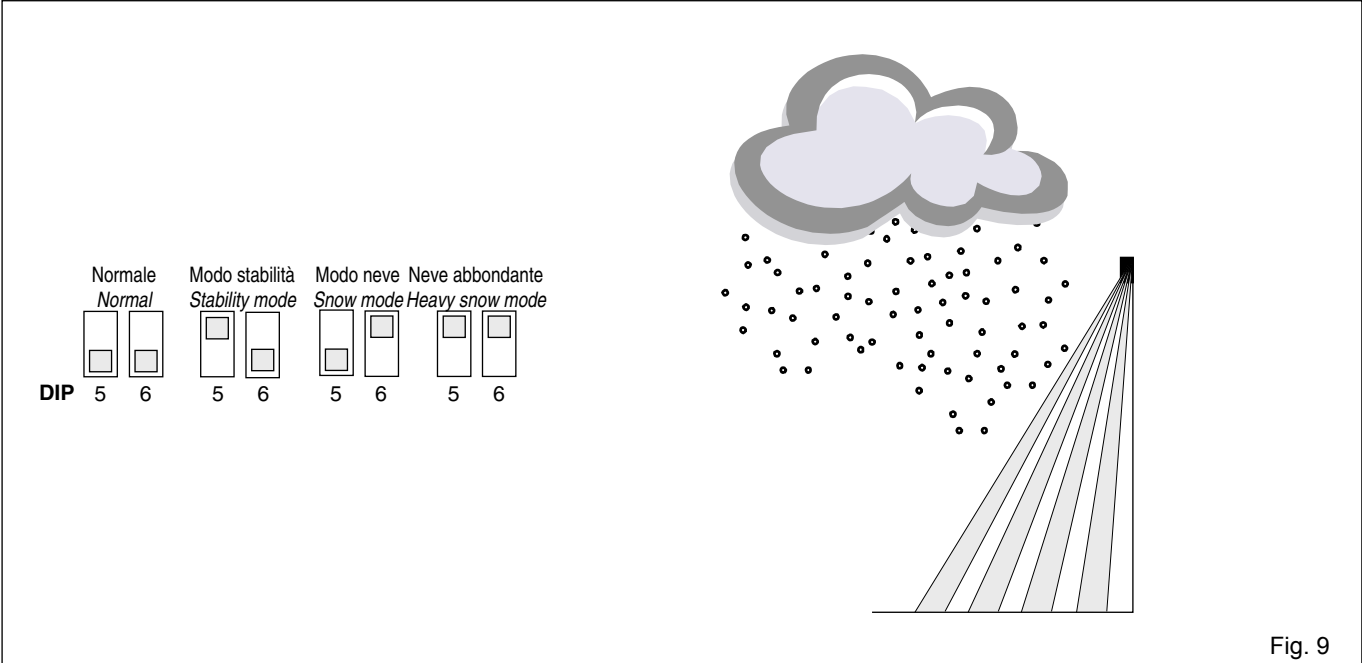


Fig. 9

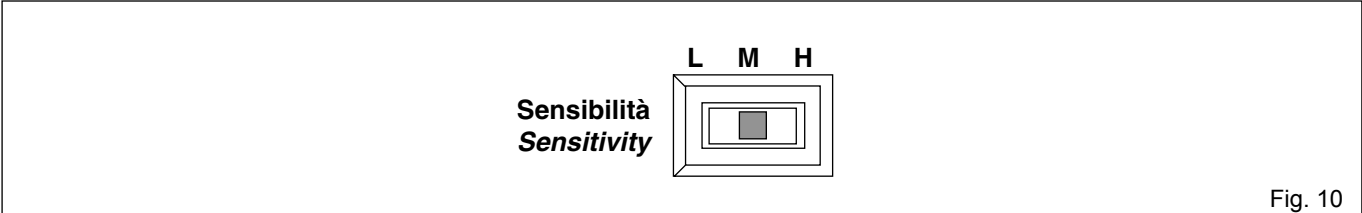


Fig. 10

GENERAL SAFETY PRECAUTIONS

This installation manual is intended for professionally competent personnel only.

Read the instructions carefully before beginning to install the product. Incorrect installation may be a source of danger.

Packaging materials (plastic, polystyrene, etc.) must not be allowed to litter the environment and must be kept out of the reach of children for whom they may be a source of danger.

Before beginning the installation check that the product is in perfect condition.

For repairs or replacements of product only original spare parts must be used. These instruction must be kept and forwarded to all possible future user of the system.

1. Reference

- [1] Warning LED
- [2] Sensitivity adjustment DIP
- [3] Adjustment DIP
- [4] Adjustment of the detection angle
- [5] Adjustment of the detection width
- [6] Adjusting key
- [7] Power supply wiring

2. Installation and functioning

Firmly secure the radar as indicated in fig. 3 so that it can properly scan the entire area in front of the passageway. Never place in the detection area any objects which may move such as shades, signs or plants.

N.B.: The values of the table in fig. 3 must change depending on the environment light, the colour of the floor as well as the detected object color and speed.

| | | | | |
|----------------|--|--|---|--|
| | Outside the detection area Stand by | Inside the motion detection area Motion detection | Inside the presence detection area Motion/presence detection | Outside the detection area Stand by |
| Led ① | Green | Orange | Red | Green |
| Output contact | | | | |

3. Electrical connections

Pas A is able to detect persons moving as well as any presence in area [B]. Connect as shown in Figure 4. When activated, the radar performs the opening command ([*] fig. 4).

Connection of the NC contact (green) to terminal 8 of the electronic board causes the radar, once activated, to perform the safety re-opening command.

4. Detection area adjustment

4.1 (Fig. 5) Depth adjustment:

Regulate this range by adjusting the detection angle [4] using the adjusting key [6]. In order to eliminate the detection areas,

position the Dips 7-8 [3] as shown in figure 5.

4.2 (Fig. 6) Adjustment of the area's width:

The detecting width may either be moved sideways using the key [6] or eliminated by turning the adjusting screws [5].

4.3 (Fig. 7) Adjustment of the detecting time:

You may adjust the time for detecting the presence inside the area [B] by using Dips1-2 [3].

Attention: The radar does not detect the presence of any object in area B for the first 10 s after powering. The detection area must be clear from people and/or things.

Warning: It is advisable not to use the infinite time [∞] setting.

4.4 (Fig. 8) Frequency adjustment:

Change the frequency when the detection area overlaps the area of another sensor. Range may be adjusted by about 4 degrees by acting on the Dips 3-4 [3].

4.5 (Fig. 9) Adjustment of the snow mode:

You may adjust the snow mode using Dips 5-6 [3].

4.6 (Fig. 10) Sensitivity adjustment:

[L] = Low

[M] = Average

[H] = High

5. Troubleshooting

| Trouble | Cause | Solution |
|------------------------------------|--|--|
| Does not operate | Supply voltage | Adjust the rated voltage. |
| | Snapping, connection failure | Check the wiring and connector |
| Does not operate from time to time | Stained detection windows | Clean the detection windows |
| | Sensitivity is low | Set the Sensitivity Switch H. |
| Operates itself | There is a moving object in the detection area | Check the installation condition |
| | There was a sudden condition change in the detection area | |
| | Radar is subject to vibration | Secure the sensor or set the Sensitivity Switch "L." |
| | Sensitivity is high | Set the Sensitivity Switch "L." |
| | Other sensor's detection area is overlapping | Change the frequency switch setting with DIP3-4 |
| | Waterdrops on detection windows | Clean the detection windows |
| Is continually in operation | Presence timer is Infinity. There was an abrupt condition change in the detection area | Turn the power off and on again. |

All right reserved

All data and specifications have been drawn up and checked with the greatest care. The manufacturer cannot however take any responsibility for eventual errors, omissions or incomplete data due to technical or illustrative purposes.